

**Colgate<sup>®</sup>**

**blast**

**Cordless Water Flosser**

**let's get flossing.**

**User Manual**

# IMPORTANT SAFEGUARDS

When using electrical products, especially when children are present, basic safety precautions should always be followed, including the following:

## WARNING

- Not suitable for children under 8. Keep out of reach of children.
- Water flossers can be used by children aged from 8 years and above and persons with reduced physical, sensory or mental capabilities or lack of experience and knowledge under supervision.
- Cleaning and user maintenance shall not be made by children without supervision.
- Children shall not play with the appliance.

---

# SAVE THESE INSTRUCTIONS

---

- Water flossers shall be used only with cold or warm water, or specific solutions as defined in this user manual.
- Stop using this device if it is damaged in any way (USB cord, water flosser device, and/or nozzles).
- Use this product only for its intended use as described in this manual.
- Do not use nozzles or attachments not recommended by Colgate.
- Keep the cord away from heated surfaces.
- Use the charger only within rated capacity of outlets or voltages specified.
- Use only a certified AC adapter or other USB power source with USB outlet and output voltage rating of 5Vdc and output current rating of at least 300mA.
- This product can be used with mouthwash or dentist's recommended solution (do not swallow), but after use, wash the device thoroughly to avoid contamination of the tank and clogging of internal parts.
- Do not add salt, iodine, bleaching agent, or insoluble essential oils to the tank as these may affect the product performance and shorten the product life.
- No user serviceable parts. Do not disassemble the device, as it may cause personal injury or device failure.
- This water flosser contains a rechargeable lithium battery.

- If after using this water flosser you experience excessive bleeding or if bleeding continues to occur after a week of use, please contact your dentist as it may be an indication of a more serious oral care issue.
- If you are undergoing treatment for any oral care condition, consult your dental professional prior to use.
- Do not place or store product where it can fall or be pulled into a tub or sink.
- Do not reach for a charger that has fallen into water. Unplug immediately.
- AC adaptors and chargers should always be completely dry when connecting to power.
- USB power sources must only be used in dry locations away from water.
- Do not charge with water in the tank. Unplug from charger before filling, do not overfill.
- This device contains a lithium rechargeable battery. When travelling by air, it should be carried in carry-on baggage when possible. When this device must be carried in checked baggage, it must be turned completely off, protected from accidental activation, and packed so it is protected from damage.
- Try not to run the device without water in the tank to avoid damage to the device.
- Do not aim and spray water directly under the tongue, into eyes, ears, nose, or other parts of the body. Pressure from the water stream may cause damage.
- Do not use this product if there is any obvious wound on your tongue or in your mouth.

- Remove all jewellery inserts from your mouth before you use this product.

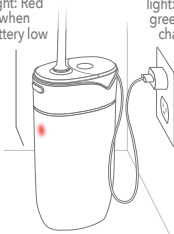
## INSTRUCTIONS

### CHARGING THE WATER FLOSSER:

*Prior to first use, it is recommended to fully charge your device.*

1. Turn the power OFF on the device.
2. Ensure water tank is empty, push water tank back to its retracted state and completely dry device.
3. Insert the USB charging cord into the charging port.
4. Attach the USB end of the cord to the power adaptor and plug into outlet. Confirm that the indicator light is on.
5. Fully charge device prior to use.  
When charging, the indicator light flashes green. The flashing stops once the device is fully charged and it can be used for more than 4 weeks with normal use. The indicator light on your device flashes red when the battery is low and requires charging.

Indicator light: Red when battery low



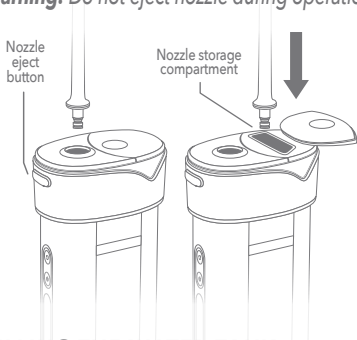
Indicator light: Flashes green when charging



## INSERTING AND REMOVING THE NOZZLE:

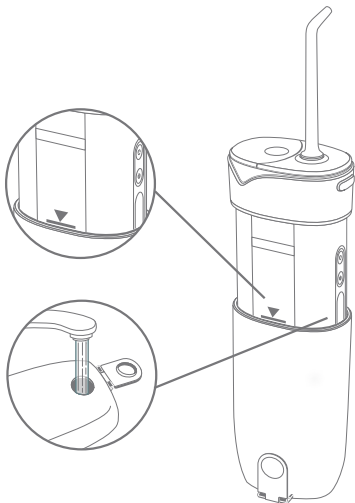
1. Remove the nozzle from the package.
2. Insert the nozzle into the nozzle jack until it clicks into place.
3. To remove the nozzle, press and hold the nozzle eject button and gently pull out the nozzle.
4. To store, place the nozzle in the storage compartment as shown below.

**Warning:** Do not eject nozzle during operation.



## FILLING THE WATER TANK:

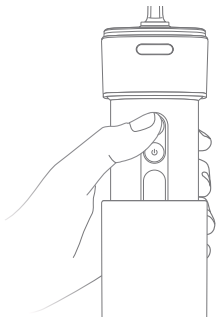
1. Open the water tank cover, then pull the tank down to the marked line.
2. Lay the flosser flat, face the opening towards the faucet and fill with either cold/lukewarm water or mouthwash. You may use warm water up to 40°C/104F.
3. After filling the tank with water, close the cover firmly, and dry off any excess liquid.



## ADJUSTING THE PRESSURE SETTINGS:

1. Device turns on in the last mode used.
2. Press the mode button to switch between pressure settings for your preferred flossing style:
  - **Gentle:** *Low pressure mode*
  - **Regular:** *Regular pressure mode for daily cleaning*
  - **Pulse:** *Pulsation pattern for gum massaging*

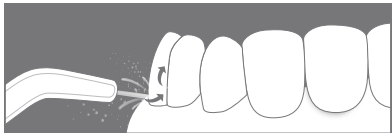
3. The default mode for the water flosser is Gentle, it is recommended to start on the Gentle mode and gradually increase modes if desired.



### **USING THE WATER FLOSSER:**

1. Place the nozzle into your mouth before turning the device on.
2. Align the nozzle against your teeth and gumline.
3. Work the nozzle along the gumline, paying special attention to the area between teeth and around braces.
4. While flossing, open your mouth slightly to avoid water splashing.
5. Keep the flosser upright during use to prevent the tube in the tank from restricting water flow.
6. The water tank should allow for up to 60 seconds of flossing depending on the mode. Refill water tank as needed to complete flossing session.





## CLEANING INSTRUCTIONS:

### A) Nozzle

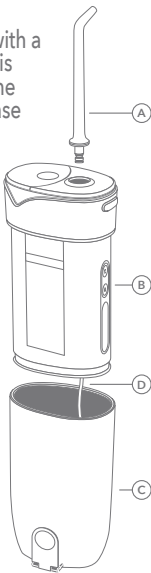
Wash with water, then dry with a soft cloth or paper towel. It is recommended to replace the nozzle every 6 months. Please replace if the nozzle tip is deformed, to avoid misuse or malfunction.

### B) Device

Make sure power is turned off, detach the charger and seal the charging port. Open the cover of the tank, pour out contents and then close. Turn on power to empty out any remaining contents, then turn off again. Wipe away any remaining liquid from the device.

### C) Water Tank

It is recommended to clean the tank once a week. To do so, open the water tank cover then pull the water tank to the marking line until you hear the "click" sound. Slightly push both sides of the tank and remove the water tank case. Clean using



warm water and soft cloth or paper towels and fully dry the device.

## **D) Tube**

This can either be cleaned directly, or it can be removed completely from the device and washed using a clean damp cloth and warm water. To remove completely, take the water tank apart and gently pull the tube from the device. After cleaning, reinstall the tube into the device and wipe dry with a soft cloth or paper towel. Please do not bend the tube or it may result in the device malfunctioning.

## **STORAGE INSTRUCTIONS AND DEVICE MAINTENANCE:**

Ensure this device is empty, dried and stored without water after each use.

Place in dry area with no direct exposure to sunlight.

If you plan to stop using the water flosser for an extended period, we recommend that you fully charge the battery, clean the flosser device and nozzles, and store them in a cool dark place. If you start using your flosser again, after more than 3 months of non-use, fully charge the device before use.

This product comes with a warranty against defects for 2 years from the date of purchase within AU or NZ.

Retain purchase receipt for product warranty. For more information contact:



### **Questions? Comments?**

(Free Call) 1800 802 307 (Australia)  
or 0800 441 740 (New Zealand).

---

[www.colgate.com.au](http://www.colgate.com.au)